

CLASSIC 90 HO

Design Features:

Mechanical

- Proprietary die-casting heat sink for optimal thermal management.
- Casting trim & integral the reflector.
- No visible LED or lens.
- Minimal glare / Cut-off technology.
- No light leaks around trim flange.
- High-Efficiency microlense, optical diffuser.
- Built-In TRIAC/ELV Dimmable LED driver.
- Easy installation with (2) Friction springs.

LED/ Optics

- LM80 rated OSRAM LED Array.
- Less than 16.6 watt Power consumption
- Input Voltage: see ordering code information
- Lumen output: >965(lm) delivered lumen
- Color Temp.: Warm White 2700K, 3000K, 3500K & 4000K optional
- CBCP: 715 cd
- CRI: >80 (90 CRI optional)
- Beam Angle: 60°
- Life span: 50,000 hrs based on 70% lumen maintenance
- No harmful ultra violet light, infrared wavelengths
- Warranty: 5 years

Electrical

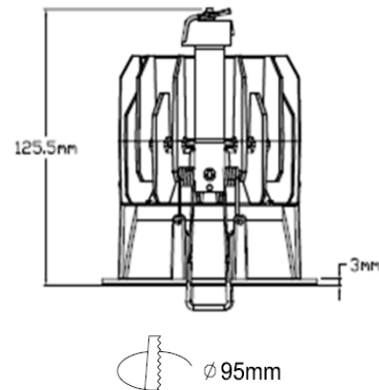
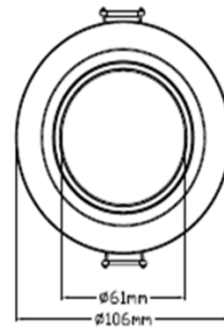
- Class 2 driver, Power Factor >0.90.
- TRIAC/EVL Dimmable
- Overload & short circuit protection.

Approval / Certificate

- Dry and Damp locations.
- Rohs compliant.



Dimension:



Ordering Code Information :

PRODUCT	TRIM STYLE	LUMEN	COLOR TEMPERATURE	FINISH	Input Voltage
CLS 90 HO	R	10	27	WH	1
CLS 90 HO	R Round	10 1000lm	27 (2700K) 30 (3000K) 35 (3500K) 40 (4000K)	WH (White) BK (Black) AL (Aluminum) ORB (Oil Rubbed Bronze) WHB (White / Black) WHA (White / Aluminum)	1 120V/TRIAC&ELV 2 120-240V/TRIAC&ELV 3 120-277V/TRIAC&ELV 4 220-240V/TRIAC&ELV



Macron Associate Co.
ISO9001:2008



41146 #352, Peng-Yi Road, Taiping, Taichung, Taiwan R.O.C.

VER.4

TEL : +886-4-22708357 FAX : +886-4-22774516

www.macrongroup.com

Copyright © Macron. All technical information in this document is subject to change.

